

A High-performance Color-screen Expansion Module for Yealink T5 Series

The Yealink EXP50 Color-screen Expansion Module for Yealink T5 Series IP phones, including SIP-T58V/SIP-T58A/SIP-T56A/SIP-T54S/SIP-T52S, is designed to expand the functional capability of your SIP phone to a whole new level. It features a large 4.3-inch color-screen LCD, giving you a vivid visual experience. In addition, it provides you with a simple user interface and advanced call handling capabilities. For example, three pages of 20 flexible buttons shown on the display can be programmed up to 60 various features. The functionality of Yealink T5 Series IP phones will also be extended by the EXP50, you can set the provided multifunctional line keys as BLF, speed dial, call forward, transfer, call park, call pickup, etc. The Yealink EXP50 Color-screen Expansion Module is an ideal solution for receptionists, administrative assistants and contact center workers and give you the ability to monitor contacts and manage a large volume of calls with ease.

Key Features and Benefits

User-friendly Structure Design

With a 4.3-inch color screen, the Yealink EXP50 expansion module is intended to bring a fresh visual experience and an easy operating experience to you. Its new design for the Stand enables you to adjust between two lying angles easily even without disassembling it. To ensure a higher reliability of data transmission and a higher speed of data refresh, a USB cable is chosen to connect EXP50 expansion module to Yealink T5 Series IP phones. Moreover, after connecting to the IP phones successfully, the remaining USB port in the back of EXP50 can also be used to realize the phone's extended functions, for example, call recording via USB flash drive, etc.

Intuitive Visualization

A 4.3-inch 272x480-pixel color screen greatly enriches your visual experience. The color icons for DSS keys, the feature of Wallpaper and Screensaver, all of these offer you a new operating experience as well as allow you to custom the EXP50 in your own style. More than that, it has already come ready for the Avatar Display on SFB and UC platform. Its 3 independent control keys with illuminated LED on the bottom are used for fast switching to the corresponding page.

High Expandability

The Yealink T5 Series IP phones can be fully equipped with up to three EXP50 Color-screen Expansion Modules, while adding 180 additional buttons at most. Three pages of 20 flexible buttons with dual-color LED shown on the display can be programmed up to 60 various features that can be used for speed dialing, BLF/BLA, call forward, transfer, etc. Thus, it will help you effectively manage high volume of concurrent calls, effortlessly monitor calls and extremely boost personal productivity.



- 4.3" 272 x 480-pixel color screen
- Color icons for rich visual experience
- 20 physical keys on each page with dual-color LEDs
- Three independent control keys with illuminated LED for fast switching pages
- Supports up to 3 modules daisy-chain
- Stand with 2 adjustable angles

Display

- 4.3" 272x480-pixel color display with backlight
- 16 bit depth color
- Three page views are possible
- Different color icons for each function shown on the LCD

Features Keys and Indicator

- 20 physical keys each with a dual-color LED
- 40 additional keys through page switch
- 3 independent control keys with illuminated LED are used for fast switching pages
- Programmable for shared line, BLF List, call park, conference, forward, group pickup, group listening, LDAP, XML Browser...

Features

- Wallpaper
- Screensaver

- Power saving
- Avatar Display on SFB and UC platform (pending)
- Stand with 2 adjustable angles
- For support of two or three Expansion Modules, an external Yealink power adapter (5V/2A) is required.
- Up to three EXP50 can be attached on any Yealink T5 Series IP phones
- USB port (2.0 compliant) for data in and out
- USB port (2.0 compliant) for:
 - wired/wireless USB headset
 - Wi-Fi through WF40,
 - USB call recording through USB flash drive
- Max power consumption (PSU): 1.5W
- Dimension (W*D*H*T):
196.5mm*124.0mm*137.5mm*42.6mm
- Applies to Yealink T5 Series (SIP-T58V/SIP-T58A/SIP-T56A/SIP-T54S/SIP-T52S)
- Operating temperature: -10~50°C (+14~122°F)
- Operating humidity: 10-95%

Package Features

- Package content:
 - Yealink EXP50 Color-screen Expansion Module
 - Stand
 - Connecting Sheet
 - USB Cable
 - Screwdriver
 - Screws
 - Quick Start Guide
- Qty/CTN: 10 PCS
- N.W/CTN: 6.0 kg
- G.W/CTN: 6.598 kg
- Giftbox size: 212mm*148mm*90mm
- Carton Meas: 480mm*310mm*228mm



Yealink

About Yealink

Yealink is a global leading provider of enterprise communication and collaboration solutions, offering video conferencing service to worldwide enterprises. Focusing on research and development, Yealink also insists on innovation and creation. With the outstanding technical patents of cloud computing, audio, video and image processing technology, Yealink has built up a panoramic collaboration solution of audio and video conferencing by merging its cloud services with a series of endpoints products. As one of the best providers in more than 140 countries and regions including the US, the UK and Australia, Yealink ranks No.1 in the global market share of SIP phone shipments.

Copyright

Copyright © 2017 YEALINK(XIAMEN) NETWORK TECHNOLOGY CO., LTD.

Copyright © 2017 Yealink(Xiamen) Network Technology CO., LTD. All rights reserved. No parts of this publication may be reproduced or transmitted in any form or by any means, electronic or mechanical, photocopying, recording, or otherwise, for any purpose, without the express written permission of Yealink(Xiamen) Network Technology CO., LTD.

Technical Support

Visit Yealink WIKI (<http://support.yealink.com/>) for firmware downloads, product documents, FAQ, and more. For better service, we sincerely recommend you to use Yealink Ticketing system (<https://ticket.yealink.com>) to submit all your technical issues.



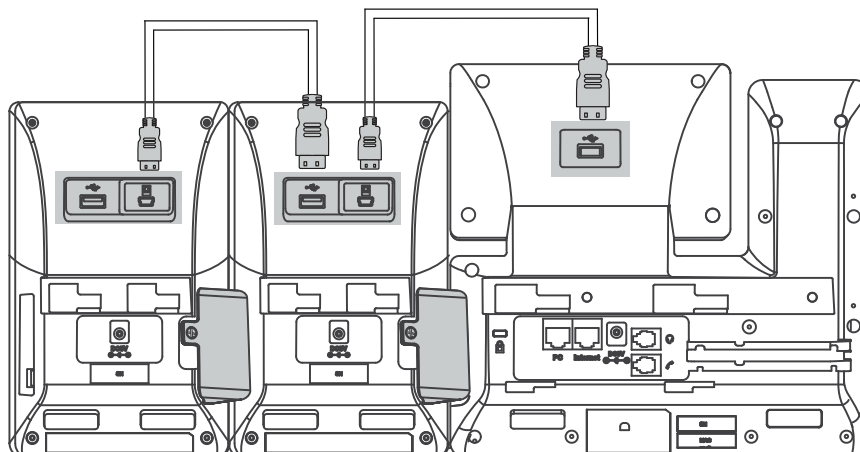
YEALINK(XIAMEN) NETWORK TECHNOLOGY CO.,LTD.
Web: www.yealink.com
Addr: No.1 Ling-Xia North Road, High Tech Park,
Huli District, Xiamen, Fujian, P.R. China
Copyright©2018Yealink Inc. All right reserved.

A High-performance Color-screen Expansion Module

The Yealink EXP50 Color-screen expansion Module for Yealink T56A/T58A/VP59/MP56/MP58/MP58-WH Teams phones, is designed to expand the phone's functional capability to a whole new level. Its 4.3-inch color screen brings you a fresh visual experience and a simple user interface. Additionally, its programmable 60 line keys on the 3 pages (20 keys per page) allow you to extend the functionality of Yealink T56A/T58A/VP59/MP56/MP58/MP58-WH Teams phones to EXP50. Therefore, you can set the provided multifunctional line keys as BLF, speed dial, call forward, transfer, call park, call pickup, etc. In a word, this easy-to-setup extension module is ideal for receptionists, administrative assistants and contact center workers to monitor contacts and manage a large volume of calls with ease.



Display	Features	Package Features
<ul style="list-style-type: none"> • 4.3" 272x480-pixel color display with backlight • 16 bit depth color • Three page views are possible • Different color icons for each function shown on the LCD 	<ul style="list-style-type: none"> • Seamless lock and unlock with phone • Stand with 2 adjustable angles • Require 2 external Yealink power adapters (5V/2A) for connecting 3 EXP50 and 1 for connecting 2 EXP50 • Up to three EXP50 can be attached on T56A/T58A/VP59/MP56/MP58/MP58-WH Teams phones • USB port (2.0 compliant) for data in and out • Max power consumption (PSU): 1.5W • Dimension (W*D*H*T): 196.5mm*124.0mm*137.5mm*42.6mm • Applies to Yealink T56A/T58A/VP59/MP56/MP58/MP58-WH Teams phones • Operating temperature: -10-50°C (+14-122°F) • Operating humidity: 10-95% 	<ul style="list-style-type: none"> • Package contents: <ul style="list-style-type: none"> - Yealink EXP50 Color-screen Expansion Module - Stand - Connecting Sheet - USB Cable - Screwdriver - Screws - Quick Start Guide • Qty/CTN: 10 PCS • N.W/CTN: 6.0 kg • G.W/CTN: 6.598 kg • Giftbox size: 212mm*148mm*90mm • Carton Meas: 480mm*310mm*228mm
<p>Features Keys and Indicator</p> <ul style="list-style-type: none"> • 20 physical keys each with a presence LED • 40 additional keys through page switch • 3 independent control keys with illuminated LED are used for fast switching pages 		



About Yealink

Yealink is a global leading provider of enterprise communication and collaboration solutions, offering video conferencing service to worldwide enterprises. Focusing on research and development, Yealink also insists on innovation and creation. With the outstanding technical patents of cloud computing, audio, video and image processing technology, Yealink has built up a panoramic collaboration solution of audio and video conferencing by merging its cloud services with a series of endpoints products. As one of the best providers in more than 140 countries and regions including the US, the UK and Australia, Yealink ranks No.1 in the global market share of SIP phone shipments.

Copyright

Copyright © 2022 YEALINK(XIAMEN) NETWORK TECHNOLOGY CO., LTD.

Copyright © 2022 Yealink(Xiamen) Network Technology CO., LTD. All rights reserved. No parts of this publication may be reproduced or transmitted in any form or by any means, electronic or mechanical, photocopying, recording, or otherwise, for any purpose, without the express written permission of Yealink(Xiamen) Network Technology CO., LTD.

Technical Support

Visit Yealink WIKI (<http://support.yealink.com/>) for firmware downloads, product documents, FAQ, and more. For better service, we sincerely recommend you to use Yealink Ticketing system (<https://ticket.yealink.com>) to submit all your technical issues.



YEALINK(XIAMEN) NETWORK TECHNOLOGY CO.,LTD.
Web: www.yealink.com
Addr: No.1 Ling-Xia North Road, High Tech Park,
Huli District, Xiamen, Fujian, P.R.C
Copyright©2022 Yealink Inc. All right reserved.